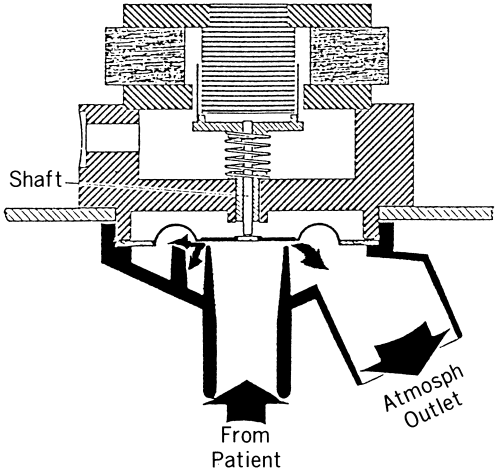


Actuating Shaft



From Patient

Atmosph Outlet